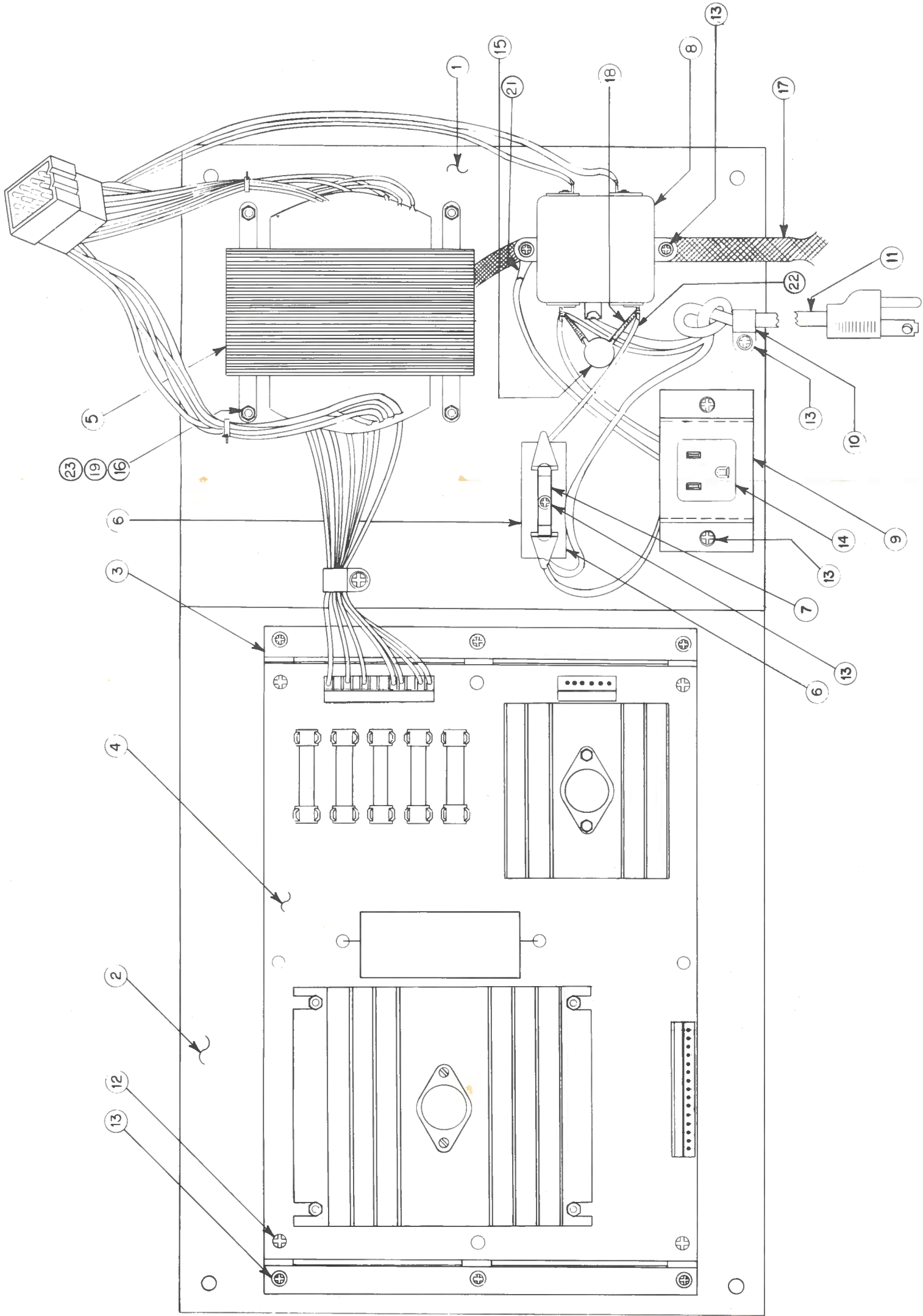


BILL OF MATERIALS			
ITEM PART N ^o	DESCRIPTION	QTY.	
1	11-580	POWER SUPPLY MTG. BD.	1
2	01-7001	POWER SUPPLY GND PLATE	1
3	01-7002	POWER SUPPLY SUPPORT BRKT.	2
4	D-8359	POWER SUPPLY BOARD	1
5	C 8529	VIDEO TRANSFORMER ASSY	1
6	B-6448-1	FUSE MOUNT ASSY.	1
7	573-08633-00	LINE FUSE 3AMP 115V	1
8	5102-08895-00	LINE FILTER 5A	1
9	01-6948-	OUTLET MTG BRACKET	1
10	05-6048-6	CABLE CLAMP-3/8	2
11	SEE NOTE #2	LINE CORD	1
12	4006-01018-04	MS.#6-32 x 1/4 P-RH	4
13	4108-01022-08	SMS.#8-32 x 1/2 P-RH-A	13
14	5851-09184-00	3WIRE SNAP-IN OUTLET	1
15	SEE NOTE #1	VARIATOR	1
16	44080117-00	NUT 8-32 HEX	4
17	20-9223-3	6INCH BRAIDED GROUND WIRE	1
18	20-9256	1 INCH SLEEVING INSULATION	2
19	4703-00008-00	NO#8 EXTERNAL LOCK WASHER	4
20	5825-06523-00	TERMINAL LUG	1
21	5852-09975-00	BLACK 18 AWG JUMPER WIRE 25'	1
22	4008-01005-22	MS.#8-32 x 1 3/8 P-PH	4



NOTES:
 1. FOR 115V.A.C., 130V. VARIATOR # 5017-09044.
 IS USED.
 FOR 230V.A.C., A 275V VARIATOR #5017-09063
 IS USED.
 2. LINE CORD PART NUMBERS:
 .5850-06206-00 12 FT. EUROPE
 .5850-08728-00 U.S. DOM.
 .5850-08737-00 AUS.
 .5850-08743-00 U.S.L.A.
 .5850-09128-00 12 FT. FRANCE
 .5850-09131-00 AWG 18-12 JAPAN